

# jaga

CLIMATE DESIGNERS



**STRADA**

€ 2020.ES

# jaga

CLIMATE DESIGNERS

## STRADA

Fuerza cálida, regio diseño

- Robusta carcasa con panel frontal liso y estilizada rejilla de aluminio.
- Parcialmente premontado para una rápida instalación.
- Tecnología Low-H<sub>2</sub>O con intercambiador de calor superconductor y ultrarápido para mínimo consumo de energía y máxima emisión de calor.
- Twin Power para una compensación más rápida del aire frío proveniente de las fachadas acristaladas o de las rejillas de ventilación en la ventana.
- Opcional: unidad de ventilación Oxygen Home integrado para renovación de aire.
- Valvulería integrada y conexión oculta.
- Temperatura de contacto segura.
- **30 años de garantía** en el intercambiador de calor.



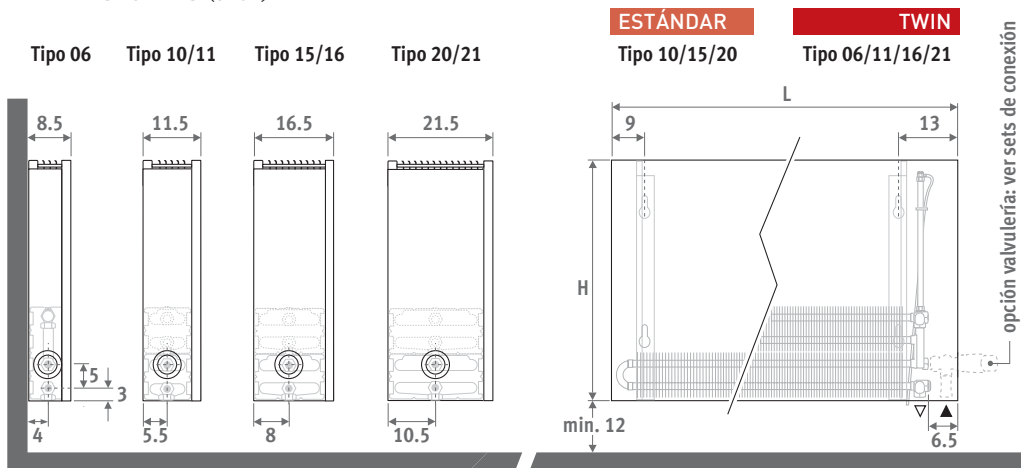
design award  
winner





STRADA

## DIMENSIONES (en cm)



## ENTREGA

Fácil de instalar por una sola persona. Suministrado en una útil caja de cartón que sirve también como protección durante la obra.

Suministro estándar:

- intercambiador de calor Low-H<sub>2</sub>O con soportes de pared, kit de fijación, purgador extendido 1/8" y tapón de vaciado 1/2"
- carcasa parcialmente premontada para conexión inferior izquierda o derecha
- tapa-embellecedor efecto acero inoxidable para la abertura no utilizada

## COLORES

Respetuoso con el medio ambiente, lacado en polvo resistente al rayado con alta resistencia a los UV.

Colores estándar:

- blanco tráfico RAL 9016 (133), "soft touch" satinado ligeramente estructurado
- gris metálico arena (001), textura fina metálica

Otros colores: ver carta de colores.

## CONEXIÓN

Conexión estándar:

Conexión inferior izquierda o derecha, reversible en obra. Hacia la pared completamente oculto o hacia pared o suelo con 2 llaves de cierre justo por debajo del radiador.

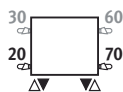
Impulsión y retorno siempre a 5 cm en horizontal justo por debajo del radiador o vertical dentro de la carcasa, según la valvulería elegida.

Cabezal arriba opcional:

Añadir al código del radiador /30 (izquierda) o /60 (derecha)

Ej. STRW.035 050 06.XXX/60

Precios ver página 138.



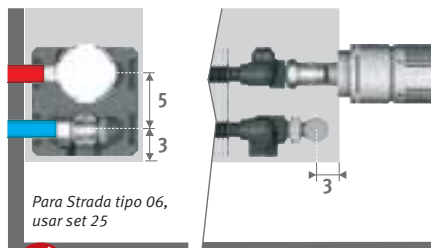
Para regulación fuera del radiador:

Añadir al código del radiador /00 para los 2 laterales cerrados. Ej. STRW.035 050 06.XXX/00  
 Solo con llave termostática vertical (para actuador térmico o control a distancia), 2 detentores o válvulas en el colector de distribución.

## SETS DE CONEXIÓN

Hacia la pared, totalmente oculta dentro de la carcasa

Cabezal termostático y racores Eurocono 3/4" incluidos.



Para Strada tipo 06, usar set 25

set 225

### CÓDIGO BITUBO

CÓDIGO BITUBO	€
COLO.SW2.JC.4...	71,00
COLO.SW2.JW.4...	61,00

completar con el código del racor

Tubo de cobre / acero fino 15/1 115

Tubo PER/ALU 16/2 616

### Otras conexiones:

Ver sección "Sets de conexión y válvulas" para todas las opciones de conexión e información técnica.

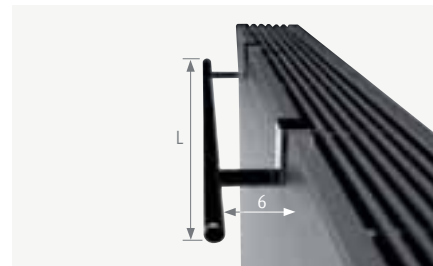


## CÓDIGO PEDIDO

código altura longitud tipo color  
**STRW . 020 050 10 . XXX**  
 indicar código de color ↓

## TOALLERO

en aluminio cromado



CÓDIGO	L	€
5501.001	56	219,00
5501.002	66	219,00

Suministro con ventilación (opcional):  
 ver Jaga Oxygen - [www.jagaventilacion.com](http://www.jagaventilacion.com)

# H020 - STRADA

STRW.020 LLL TT.XXX

L	ESTÁNDAR					TWIN				
	Tipo	watios 65/55	watios 55/45	€ color est.	€ otro	Tipo	watios 65/55	watios 55/45	€ color est.	€ otro
050	---	---	---	---	---	06	196	131	186,00	238,00
	10	239	159	168,00	224,00	---	---	---	---	---
	15	398	265	199,00	260,00	---	---	---	---	---
	20	559	373	229,00	296,00	---	---	---	---	---
	---	---	---	---	---	---	---	---	---	---
060	---	---	---	---	---	06	236	157	199,00	255,00
	10	287	191	180,00	241,00	---	---	---	---	---
	15	478	319	214,00	279,00	---	---	---	---	---
	20	671	448	248,00	320,00	---	---	---	---	---
	---	---	---	---	---	---	---	---	---	---
070	---	---	---	---	---	06	275	183	221,00	279,00
	10	335	223	202,00	267,00	---	---	---	---	---
	15	557	372	242,00	311,00	---	---	---	---	---
	20	783	522	287,00	365,00	---	---	---	---	---
	---	---	---	---	---	---	---	---	---	---
080	---	---	---	---	---	06	314	209	235,00	296,00
	10	382	255	215,00	283,00	---	---	---	---	---
	15	637	425	262,00	338,00	---	---	---	---	---
	20	895	597	310,00	394,00	---	---	---	---	---
	---	---	---	---	---	---	---	---	---	---
090	---	---	---	---	---	06	353	236	246,00	310,00
	10	430	287	226,00	297,00	---	---	---	---	---
	15	717	478	278,00	358,00	---	---	---	---	---
	20	1007	672	330,00	418,00	---	---	---	---	---
	---	---	---	---	---	---	---	---	---	---
100	---	---	---	---	---	06	393	262	264,00	331,00
	10	478	318	245,00	319,00	---	---	---	---	---
	15	796	531	303,00	386,00	---	---	---	---	---
	20	1119	746	363,00	455,00	---	---	---	---	---
	---	---	---	---	---	---	---	---	---	---
110	---	---	---	---	---	06	432	288	278,00	349,00
	10	526	350	258,00	337,00	---	---	---	---	---
	15	876	584	320,00	407,00	---	---	---	---	---
	20	1231	821	387,00	485,00	---	---	---	---	---
	---	---	---	---	---	---	---	---	---	---
120	---	---	---	---	---	06	472	314	296,00	373,00
	10	573	382	278,00	365,00	---	---	---	---	---
	15	955	637	346,00	444,00	---	---	---	---	---
	20	1342	895	423,00	536,00	---	---	---	---	---
	---	---	---	---	---	---	---	---	---	---
140	---	---	---	---	---	06	550	366	321,00	401,00
	10	669	446	303,00	395,00	---	---	---	---	---
	15	1115	743	379,00	481,00	---	---	---	---	---
	20	1567	1045	486,00	603,00	---	---	---	---	---
	---	---	---	---	---	---	---	---	---	---
160	---	---	---	---	---	06	629	419	378,00	473,00
	10	765	509	358,00	467,00	---	---	---	---	---
	15	1274	850	453,00	574,00	---	---	---	---	---
	20	1790	1194	579,00	717,00	---	---	---	---	---
	---	---	---	---	---	---	---	---	---	---
180	---	---	---	---	---	06	707	471	407,00	508,00
	10	860	573	389,00	506,00	---	---	---	---	---
	15	1433	956	494,00	625,00	---	---	---	---	---
	20	2014	1343	629,00	777,00	---	---	---	---	---
	---	---	---	---	---	---	---	---	---	---
200	---	---	---	---	---	06	786	524	442,00	556,00
	10	956	637	423,00	553,00	---	---	---	---	---
	15	1592	1062	565,00	711,00	---	---	---	---	---
	20	2238	1493	686,00	850,00	---	---	---	---	---
	---	---	---	---	---	---	---	---	---	---
240	---	---	---	---	---	06	943	628	554,00	699,00
	10	1147	764	532,00	696,00	---	---	---	---	---
	15	1911	1274	707,00	892,00	---	---	---	---	---
	20	2686	1791	862,00	1069,00	---	---	---	---	---
	---	---	---	---	---	---	---	---	---	---
280	---	---	---	---	---	06	1099	733	621,00	784,00
	10	1338	891	598,00	782,00	---	---	---	---	---
	15	2229	1487	796,00	1004,00	---	---	---	---	---
	20	3133	2090	973,00	1204,00	---	---	---	---	---
	---	---	---	---	---	---	---	---	---	---

Factor corrección de 65/55 a 75/65: estándar: 1,36

Emissiones según EN442 a 20°C de temperatura ambiente

# STRADA H035

STRW.035 LLL TT.XXX

L	ESTÁNDAR					TWIN				
	Tipo	watios 65/55	watios 55/45	€ color est.	€ otro	Tipo	watios 65/55	watios 55/45	€ color est.	€ otro
050	---	---	---	---	---	06	289	194	243,00	304,00
	10	329	220	186,00	251,00	11	434	287	279,00	343,00
	15	539	361	217,00	289,00	16	576	378	328,00	399,00
	20	755	506	248,00	325,00	21	761	498	351,00	428,00
060	---	---	---	---	---	06	347	233	261,00	327,00
	10	394	264	200,00	271,00	11	521	344	298,00	368,00
	15	647	434	234,00	310,00	16	690	454	352,00	428,00
	20	906	608	269,00	351,00	21	913	598	380,00	461,00
070	---	---	---	---	---	06	405	271	290,00	358,00
	10	460	308	222,00	297,00	11	607	401	333,00	408,00
	15	755	506	262,00	343,00	16	805	529	399,00	480,00
	20	1057	709	308,00	397,00	21	1066	698	436,00	525,00
080	---	---	---	---	---	06	463	310	307,00	379,00
	10	525	351	236,00	315,00	11	694	459	353,00	432,00
	15	862	578	284,00	371,00	16	920	605	429,00	517,00
	20	1209	810	333,00	428,00	21	1218	797	470,00	565,00
090	---	---	---	---	---	06	521	349	323,00	400,00
	10	591	395	250,00	333,00	11	780	516	372,00	455,00
	15	970	650	302,00	396,00	16	1036	681	457,00	550,00
	20	1360	911	355,00	455,00	21	1370	897	500,00	601,00
100	---	---	---	---	---	06	579	388	347,00	426,00
	10	657	439	269,00	356,00	11	867	573	402,00	489,00
	15	1078	723	327,00	424,00	16	1151	756	497,00	594,00
	20	1511	1013	388,00	494,00	21	1522	997	549,00	655,00
110	---	---	---	---	---	06	637	427	365,00	449,00
	10	723	483	283,00	375,00	11	954	631	423,00	515,00
	15	1186	795	345,00	447,00	16	1265	832	524,00	625,00
	20	1662	1114	413,00	525,00	21	1674	1096	583,00	696,00
120	---	---	---	---	---	06	695	465	386,00	476,00
	10	789	528	303,00	404,00	11	1041	688	449,00	550,00
	15	1294	867	372,00	484,00	16	1381	908	560,00	672,00
	20	1813	1215	449,00	576,00	21	1827	1196	629,00	756,00
140	---	---	---	---	---	06	811	543	424,00	520,00
	10	920	615	334,00	441,00	11	1214	802	496,00	603,00
	15	1509	1012	410,00	528,00	16	1611	1059	621,00	739,00
	20	2115	1418	518,00	651,00	21	2131	1396	735,00	868,00
160	---	---	---	---	---	06	926	620	496,00	609,00
	10	1052	703	393,00	519,00	11	1388	917	581,00	706,00
	15	1725	1156	487,00	626,00	16	1841	1210	736,00	875,00
	20	2417	1620	614,00	770,00	21	2435	1594	869,00	1025,00
180	---	---	---	---	---	06	1042	698	534,00	655,00
	10	1183	791	425,00	562,00	11	1561	1032	627,00	764,00
	15	1940	1301	530,00	682,00	16	2071	1361	799,00	951,00
	20	2719	1823	666,00	835,00	21	2740	1794	942,00	1110,00
200	---	---	---	---	---	06	1158	776	578,00	712,00
	10	1314	879	462,00	613,00	11	1735	1146	677,00	827,00
	15	2156	1445	603,00	772,00	16	2301	1513	911,00	1080,00
	20	3021	2025	725,00	911,00	21	3044	1993	1021,00	1207,00
240	---	---	---	---	---	06	1389	931	720,00	890,00
	10	1577	1055	578,00	767,00	11	2081	1375	843,00	1031,00
	15	2587	1734	753,00	963,00	16	2761	1815	1133,00	1343,00
	20	3626	2431	910,00	1142,00	21	3653	2392	1277,00	1509,00
280	---	---	---	---	---	06	1621	1086	806,00	996,00
	10	1840	1230	649,00	861,00	11	2429	1605	942,00	1154,00
	15	3018	2024	846,00	1083,00	16	3221	2118	1271,00	1508,00
	20	4230	2836	1025,00	1285,00	21	4262	2791	1437,00	1697,00

Factor corrección de 65/55 a 75/65: estándar: 1,36

Emisiones según EN442 a 20°C de temperatura ambiente

# H050 - STRADA

STRW.050 LLL TT.XXX

L	ESTÁNDAR					TWIN				
	Tipo	watios 65/55	watios 55/45	€ color est.	€ otro	Tipo	watios 65/55	watios 55/45	€ color est.	€ otro
050	---	---	---	---	---	06	349	235	254,00	320,00
	10	395	265	197,00	269,00	11	503	332	291,00	363,00
	15	638	430	232,00	310,00	16	685	449	342,00	420,00
	20	893	602	266,00	350,00	21	927	605	368,00	453,00
060	---	---	---	---	---	06	418	282	272,00	344,00
	10	474	318	212,00	290,00	11	604	399	311,00	389,00
	15	766	516	249,00	333,00	16	822	539	366,00	450,00
	20	1071	722	287,00	377,00	21	1112	725	397,00	488,00
070	---	---	---	---	---	06	488	329	302,00	378,00
	10	553	371	236,00	319,00	11	704	465	348,00	431,00
	15	894	602	279,00	369,00	16	959	629	415,00	504,00
	20	1250	842	328,00	427,00	21	1297	846	456,00	555,00
080	---	---	---	---	---	06	558	376	321,00	401,00
	10	632	424	251,00	339,00	11	805	532	370,00	457,00
	15	1021	688	302,00	398,00	16	1095	719	447,00	543,00
	20	1428	962	353,00	459,00	21	1483	968	490,00	596,00
090	---	---	---	---	---	06	627	423	337,00	423,00
	10	711	477	265,00	358,00	11	905	598	389,00	481,00
	15	1149	774	321,00	424,00	16	1232	809	475,00	578,00
	20	1607	1083	376,00	487,00	21	1668	1088	522,00	633,00
100	---	---	---	---	---	06	697	470	362,00	450,00
	10	790	530	284,00	382,00	11	1006	665	419,00	516,00
	15	1276	860	346,00	453,00	16	1369	898	515,00	622,00
	20	1785	1203	410,00	527,00	21	1854	1209	571,00	688,00
110	---	---	---	---	---	06	767	517	381,00	475,00
	10	869	584	301,00	403,00	11	1106	732	441,00	544,00
	15	1404	946	366,00	479,00	16	1506	988	544,00	656,00
	20	1964	1323	436,00	560,00	21	2039	1330	607,00	731,00
120	---	---	---	---	---	06	836	564	404,00	504,00
	10	948	636	322,00	434,00	11	1207	798	469,00	581,00
	15	1532	1032	394,00	518,00	16	1643	1078	581,00	705,00
	20	2142	1443	474,00	614,00	21	2224	1451	654,00	794,00
140	---	---	---	---	---	06	976	658	445,00	552,00
	10	1106	742	355,00	476,00	11	1407	931	519,00	640,00
	15	1787	1204	436,00	568,00	16	1917	1258	646,00	777,00
	20	2499	1684	548,00	695,00	21	2595	1693	764,00	912,00
160	---	---	---	---	---	06	1115	752	521,00	648,00
	10	1264	849	418,00	560,00	11	1609	1064	608,00	750,00
	15	2042	1376	517,00	672,00	16	2191	1438	764,00	919,00
	20	2856	1924	648,00	820,00	21	2966	1935	902,00	1075,00
180	---	---	---	---	---	06	1255	846	560,00	697,00
	10	1422	955	452,00	606,00	11	1810	1197	656,00	810,00
	15	2297	1548	562,00	731,00	16	2464	1617	830,00	998,00
	20	3213	2165	701,00	888,00	21	3337	2177	976,00	1163,00
200	---	---	---	---	---	06	1395	940	606,00	758,00
	10	1580	1061	491,00	660,00	11	2011	1330	708,00	877,00
	15	2553	1720	637,00	825,00	16	2738	1797	943,00	1131,00
	20	3570	2405	762,00	968,00	21	3707	2418	1058,00	1264,00
240	---	---	---	---	---	06	1674	1128	754,00	945,00
	10	1896	1273	614,00	824,00	11	2413	1596	881,00	1091,00
	15	3064	2064	794,00	1026,00	16	3286	2156	1172,00	1404,00
	20	4284	2886	955,00	1210,00	21	4449	2902	1322,00	1577,00
280	---	---	---	---	---	06	1953	1316	845,00	1060,00
	10	2212	1485	689,00	926,00	11	2816	1862	985,00	1222,00
	15	3574	2408	892,00	1154,00	16	3833	2516	1314,00	1576,00
	20	4998	3367	1074,00	1361,00	21	5191	3386	1486,00	1773,00

Factor corrección de 65/55 a 75/65: estándar: 1,36

Emisiones según EN442 a 20°C de temperatura ambiente

# STRADA H065

STRW.065 LLL TT.XXX

L	ESTÁNDAR					TWIN				
	Tipo	watios 65/55	watios 55/45	€ color est.	€ otro	Tipo	watios 65/55	watios 55/45	€ color est.	€ otro
050	---	---	---	---	---	06	394	267	265,00	337,00
	10	446	301	211,00	290,00	11	560	371	306,00	385,00
	15	710	481	249,00	335,00	16	783	513	360,00	446,00
	20	993	672	286,00	379,00	21	1085	705	387,00	480,00
060	---	---	---	---	---	06	474	321	283,00	362,00
	10	535	361	228,00	313,00	11	672	444	327,00	412,00
	15	852	577	267,00	359,00	16	939	615	385,00	477,00
	20	1191	806	308,00	408,00	21	1302	846	418,00	517,00
070	---	---	---	---	---	06	552	374	315,00	398,00
	10	624	421	252,00	344,00	11	784	518	364,00	456,00
	15	994	673	298,00	397,00	16	1096	718	434,00	534,00
	20	1389	941	350,00	458,00	21	1519	987	477,00	585,00
080	---	---	---	---	---	06	631	428	335,00	424,00
	10	714	481	269,00	367,00	11	895	592	387,00	485,00
	15	1137	770	322,00	430,00	16	1252	820	468,00	575,00
	20	1588	1075	377,00	493,00	21	1736	1128	513,00	629,00
090	---	---	---	---	---	06	710	481	352,00	446,00
	10	803	541	283,00	386,00	11	1008	667	407,00	510,00
	15	1279	866	342,00	456,00	16	1409	923	496,00	611,00
	20	1786	1210	401,00	523,00	21	1953	1269	545,00	667,00
100	---	---	---	---	---	06	789	535	377,00	475,00
	10	892	601	304,00	411,00	11	1120	741	438,00	546,00
	15	1420	962	368,00	486,00	16	1565	1026	537,00	656,00
	20	1984	1344	435,00	564,00	21	2170	1410	595,00	723,00
110	---	---	---	---	---	06	868	589	397,00	500,00
	10	981	661	320,00	434,00	11	1231	814	461,00	575,00
	15	1562	1058	388,00	513,00	16	1722	1128	566,00	691,00
	20	2183	1478	462,00	598,00	21	2386	1551	631,00	767,00
120	---	---	---	---	---	06	946	642	422,00	534,00
	10	1070	721	344,00	469,00	11	1344	889	491,00	616,00
	15	1704	1154	418,00	556,00	16	1879	1231	606,00	744,00
	20	2381	1613	502,00	656,00	21	2603	1692	680,00	834,00
140	---	---	---	---	---	06	1104	749	465,00	586,00
	10	1248	841	380,00	515,00	11	1567	1037	544,00	679,00
	15	1989	1347	464,00	611,00	16	2191	1436	675,00	822,00
	20	2778	1881	581,00	743,00	21	3037	1975	796,00	958,00
160	---	---	---	---	---	06	1262	856	545,00	686,00
	10	1427	962	447,00	604,00	11	1792	1185	636,00	794,00
	15	2273	1539	548,00	720,00	16	2505	1641	797,00	969,00
	20	3175	2150	684,00	874,00	21	3471	2257	937,00	1127,00
180	---	---	---	---	---	06	1420	963	586,00	739,00
	10	1605	1082	483,00	654,00	11	2015	1333	686,00	858,00
	15	2557	1732	596,00	783,00	16	2817	1846	864,00	1052,00
	20	3572	2419	740,00	945,00	21	3905	2539	1014,00	1218,00
200	---	---	---	---	---	06	1577	1070	635,00	805,00
	10	1784	1202	524,00	713,00	11	2239	1481	741,00	930,00
	15	2841	1924	673,00	881,00	16	3131	2051	981,00	1189,00
	20	3969	2688	804,00	1030,00	21	4339	2821	1098,00	1324,00
240	---	---	---	---	---	06	1893	1284	789,00	1001,00
	10	2140	1443	654,00	887,00	11	2687	1777	920,00	1154,00
	15	3409	2309	837,00	1094,00	16	3757	2461	1217,00	1473,00
	20	4763	3225	1005,00	1284,00	21	5207	3385	1370,00	1649,00
280	---	---	---	---	---	06	2209	1498	884,00	1123,00
	10	2497	1683	733,00	995,00	11	3135	2073	1029,00	1292,00
	15	3978	2694	939,00	1228,00	16	4383	2871	1364,00	1652,00
	20	5556	3763	1129,00	1442,00	21	6075	3949	1538,00	1851,00

Factor corrección de 65/55 a 75/65:estándar: 1,36

Emisiones según EN442 a 20°C de temperatura ambiente



# H095 - STRADA

STRW.095 LLL TT.XXX

L	ESTÁNDAR					TWIN				
	Tipo	watios 65/55	watios 55/45	€ color est.	€ otro	Tipo	watios 65/55	watios 55/45	€ color est.	€ otro
050	---	---	---	---	---	---	---	---	---	---
	---	---	---	---	---	---	---	---	---	---
	---	---	---	---	---	---	---	---	---	---
	---	---	---	---	---	---	---	---	---	---
060	---	---	---	---	---	06	550	378	305,00	396,00
	10	620	421	250,00	349,00	11	783	518	349,00	448,00
	15	959	656	295,00	402,00	16	1154	753	413,00	521,00
	20	1337	915	335,00	449,00	21	1675	1081	446,00	560,00
	---	---	---	---	---	---	---	---	---	---
070	---	---	---	---	---	06	641	440	337,00	434,00
	10	723	491	276,00	381,00	11	913	604	387,00	493,00
	15	1119	765	327,00	442,00	16	1346	879	464,00	579,00
	20	1560	1067	378,00	502,00	21	1954	1261	506,00	630,00
	---	---	---	---	---	---	---	---	---	---
080	---	---	---	---	---	06	733	503	360,00	465,00
	10	826	561	295,00	409,00	11	1043	691	414,00	527,00
	15	1279	875	354,00	479,00	16	1539	1005	500,00	625,00
	20	1783	1220	408,00	542,00	21	2233	1441	545,00	679,00
	---	---	---	---	---	---	---	---	---	---
090	---	---	---	---	---	06	824	566	379,00	491,00
	10	929	631	312,00	432,00	11	1173	777	435,00	556,00
	15	1438	984	376,00	509,00	16	1731	1130	531,00	664,00
	20	2006	1372	433,00	575,00	21	2512	1621	579,00	721,00
	---	---	---	---	---	---	---	---	---	---
100	---	---	---	---	---	06	916	629	409,00	528,00
	10	1032	701	337,00	466,00	11	1304	863	472,00	601,00
	15	1598	1093	407,00	548,00	16	1923	1256	577,00	718,00
	20	2229	1524	473,00	625,00	21	2791	1801	634,00	786,00
	---	---	---	---	---	---	---	---	---	---
110	---	---	---	---	---	06	1008	692	433,00	560,00
	10	1135	771	357,00	494,00	11	1435	950	498,00	635,00
	15	1759	1203	431,00	581,00	16	2116	1381	609,00	759,00
	20	2451	1677	503,00	665,00	21	3070	1982	674,00	835,00
	---	---	---	---	---	---	---	---	---	---
120	---	---	---	---	---	06	1099	754	459,00	595,00
	10	1239	842	382,00	531,00	11	1565	1036	529,00	678,00
	15	1918	1312	462,00	626,00	16	2308	1507	651,00	814,00
	20	2674	1829	544,00	724,00	21	3349	2162	724,00	904,00
	---	---	---	---	---	---	---	---	---	---
140	---	---	---	---	---	06	1282	880	510,00	658,00
	10	1445	982	426,00	589,00	11	1826	1208	591,00	753,00
	15	2238	1531	518,00	695,00	16	2693	1758	729,00	906,00
	20	3120	2134	633,00	825,00	21	3908	2522	850,00	1042,00
	---	---	---	---	---	---	---	---	---	---

Factor corrección de 65/55 a 75/65: estándar: 1,36

Emissiones según EN442 a 20°C de temperatura ambiente

# jaga

## CLIMATE DESIGNERS

Jaga España  
Conves Termic s.l.

Jaga International  
Verbindingslaan 16  
B-3590 Diepenbeek

Tel.: 902 002 456  
M+34 673514587  
proyectos@conves.es  
www.jaga.info

T: +32 11 29 41 16  
F: +32 11 29 41 60  
export@jaga.com  
www.jaga.com

La información de esta lista de precios es correcta en el período indicado. Jaga se reserva el derecho de cambiar las especificaciones de sus productos en cualquier momento en línea con su política de continua mejora e innovación.  
Precios válidos desde el 1 de enero de 2020. IVA no incluido en todos los precios.  
Reemplaza a todas las listas de precios anteriores.